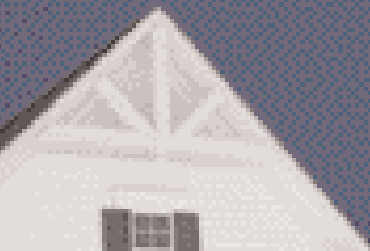




Specialty Features

Our specialty features range from gable decorations and medallions, to niches. Custom Gable Decorations add a creative touch to any elevation. Our ceiling medallions, wall medallions and niches come in a range of styles providing class and distinction to any home.

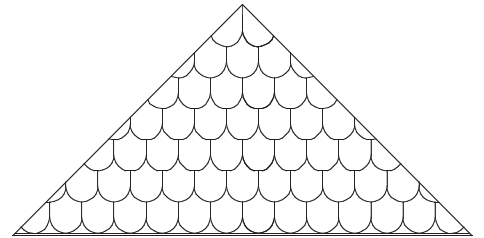


SPECIALTY FEATURES

GABLE DECORATIONS

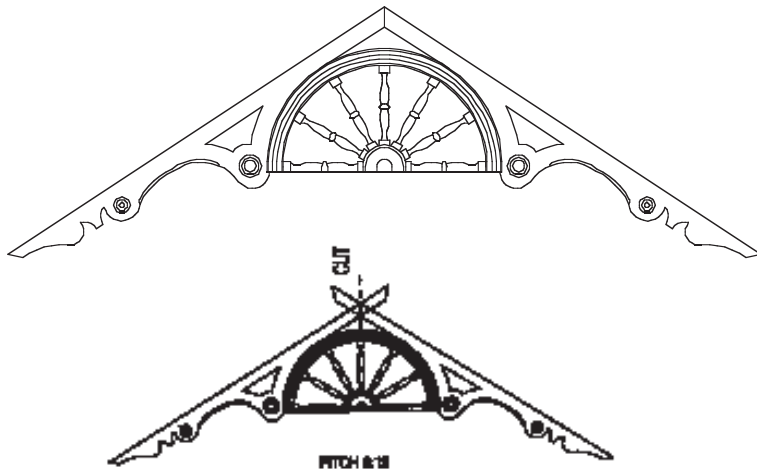


6815 Gable decoration & 66K/36 louver



Fishscale Gable Decoration

PART#	H	A WIDTH	P
FS-72ADJ	36"	71½"	1¼"

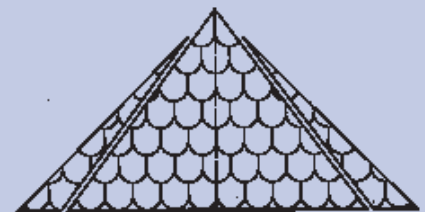
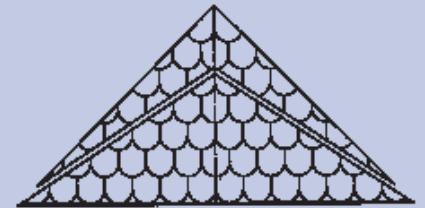


Adjustable Gable Decoration

PART #	6815	Part is supplied in standard 16:12 pitch
HEIGHT	46¼"	
WIDTH	119"	
PROJ	3"	

Pieces may be ordered separately.

6815/L	LEFT LEG
6815/R	RIGHT LEG
6815/W	SPOKED WHEEL

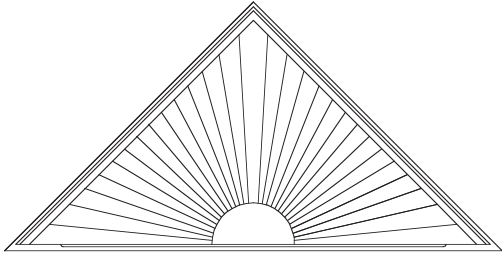


FS-72 ADJ Fishscale Gable Decoration

By simply cutting to proper angle, this part can be made to fit any roof pitch. Part is supplied in standard 12:12 pitch.

SPECIALTY FEATURES

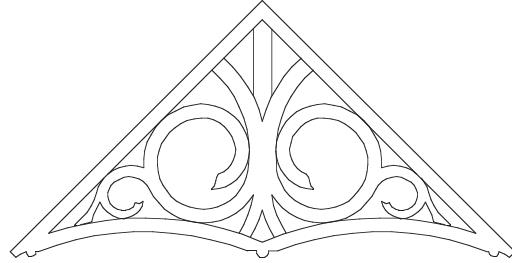
GABLE DECORATIONS



Triangle Sunburst Gable Decoration

PART#	HEIGHT	WIDTH	PROJ	PITCH
TS86/7236	36"	72"	2 ⁷ / ₁₆ "	12:12
TS86/12/132	66"	132"	2 ⁷ / ₁₆ "	12:12

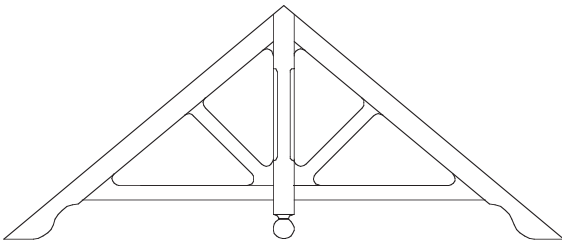
Custom sizes and pitch available.
Please contact customer service for a quote.



Scrolled Gable Decoration

PART#	HEIGHT	WIDTH	PROJ	PITCH
SGC8/8729	29"	87"	2"	8:12
SGC10/8134	33 ³ / ₄ "	81"	2"	10:12
SGC12/7437	37 ¹ / ₄ "	74 ¹ / ₂ "	2"	12:12

AVAILABLE IN ANY SIZE

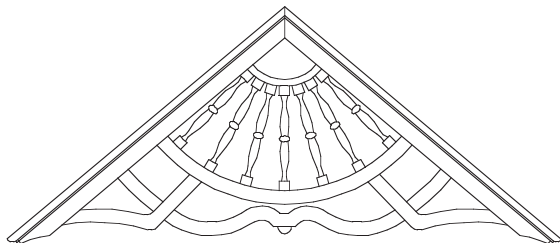


Post & Ball Gable Decoration

PART#	HEIGHT	WIDTH	PROJ	PITCH
PB8/4818	18"	48"	2"	8:12
PB10/8134	33 ³ / ₄ "	81"	2"	10:12
PB12/7035	35"	70"	2"	12:12

AVAILABLE IN ANY SIZE

CUSTOM GABLES AVAILABLE



Spoked Gable Decoration

PART#	HEIGHT	WIDTH	PROJ	PITCH
SW8/8930	30"	89"	2 ¹ / ₂ "	8:12
SW10/8134	33 ¹ / ₆ "	80 ¹ / ₄ "	2 ¹ / ₂ "	10:12
SW12/6834	33 ⁷ / ₈ "	67 ³ / ₄ "	2 ¹ / ₂ "	12:12

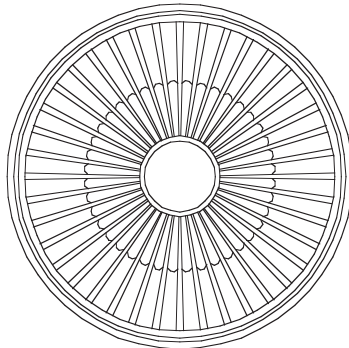
SPECIALTY FEATURES

CEILING MEDALLIONS & APPLIQUES



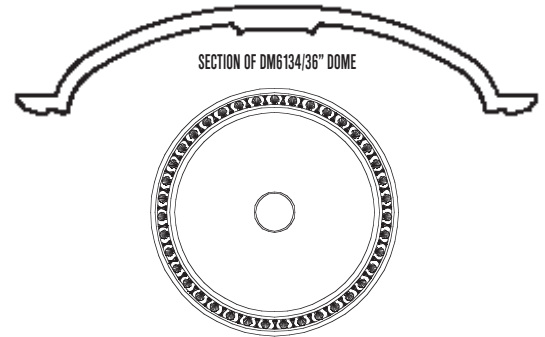
Ceiling Medallion

PART#	DIAM	P
6140	20 ³ / ₈ "	1 ³ / ₈ "



Ceiling Medallion

PART#	DIAM	P
10007	28"	1 ¹ / ₈ "
10037	32"	1 ¹ / ₈ "
10038	36"	1 ¹ / ₈ "



Acanthus Ceiling Medallion

PART#	DIAM	P
6141	30"	1 ¹ / ₄ "



Ceiling Medallion

PART#	DIAM	P
10192	15"	1 ¹ / ₂ "



36" Dome

PART #	DM6134/36
ROUGH OPENING	36"
INSIDE DIAMETER	33"
OUTSIDE DIAMETER	41"
CENTER MEDALLION	6 ³ / ₄ "

Fits 8" or larger ceiling joists
(7¹/₄" min. Inset Height)

1¹/₂" Projection Below Ceiling

Coordinates with 6134 Scallop Moulding

North Wind Applique



PART#	DIAM	P
8770	14"	1 ¹ / ₂ "

Square Edge Quoin



PART#	HEIGHT	WIDTH	PROJ
Q8142	16"	42"	1"
SQ12253	10"	10"	1"



6140 Ceiling Medallion

MEDALLIONS

Wall Medallions



St. Ives

PART #	WM320019	WM320025
DIAMETER	19"	24"
PROJ	1 ³ / ₄ "	3"



The Meridien Fleur

PART #	WM310019	WM310025
DIAMETER	19"	25 ¹ / ₂ "
PROJ	2"	2 ¹ / ₂ "



The Venice

PART #	WM330019	WM330025
DIAMETER	19"	25 ¹ / ₂ "
PROJ	1 ³ / ₄ "	2"

Ceiling Medallions



The Windsor

PART #	CM11669	CM11670
DIAMETER	19"	25 ¹ / ₂ "
PROJ	1 ³ / ₄ "	2 ¹ / ₂ "



The Meridien

PART #	CM11667	CM11668
DIAMETER	19"	25 ¹ / ₂ "
PROJ	2"	2 ¹ / ₂ "



The Charlotte

PART #	CM11671	CM11672
DIAMETER	19"	25 ¹ / ₂ "
PROJ	1 ³ / ₄ "	2"



The Athena

PART #	CM11663	CM11664
DIAMETER	19"	25 ¹ / ₂ "
PROJ	1 ⁵ / ₈ "	1 ³ / ₄ "



The Walden

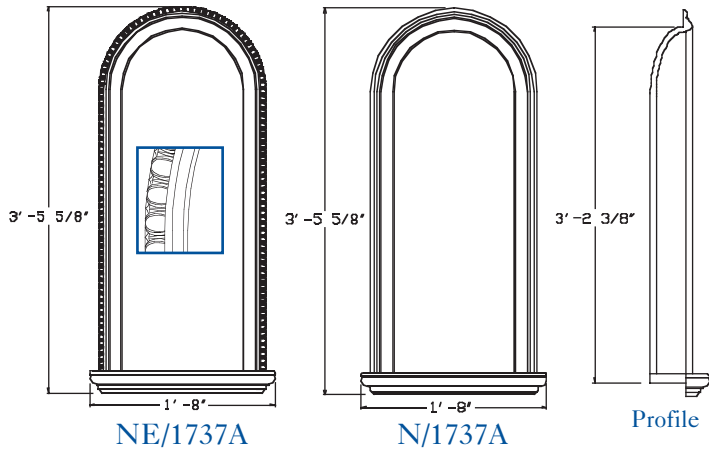
PART #	CM11665	CM11666
DIAMETER	19"	25 ¹ / ₂ "
PROJ	1 ³ / ₄ "	2"

SPECIALTY FEATURES

WALL NICHES



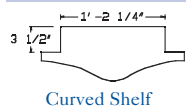
Niche with Curved Shelf



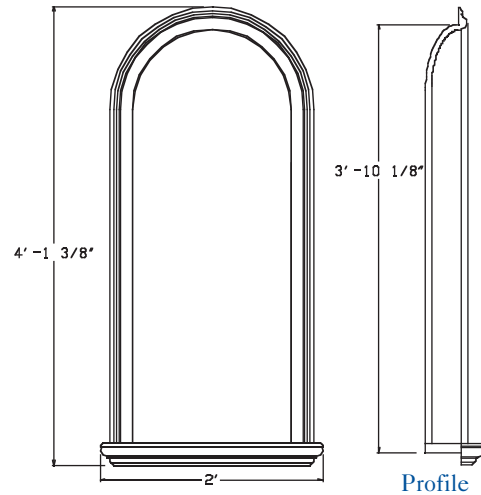
NE/1737A

N/1737A

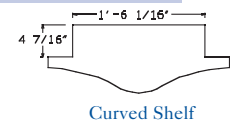
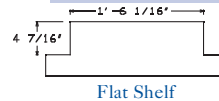
PART#	H	W	P
N/1737A	41 ⁵ / ₈ "	20"	4"
NE/1737A	41 ⁵ / ₈ "	20"	4"



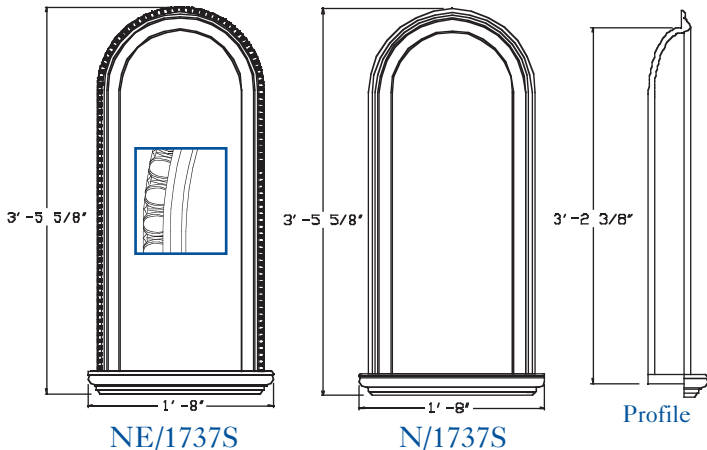
Niche



PART#	H	W	P
N/2247A	49 ³ / ₈ "	24"	4"
N/2247S	49 ³ / ₈ "	24"	4"



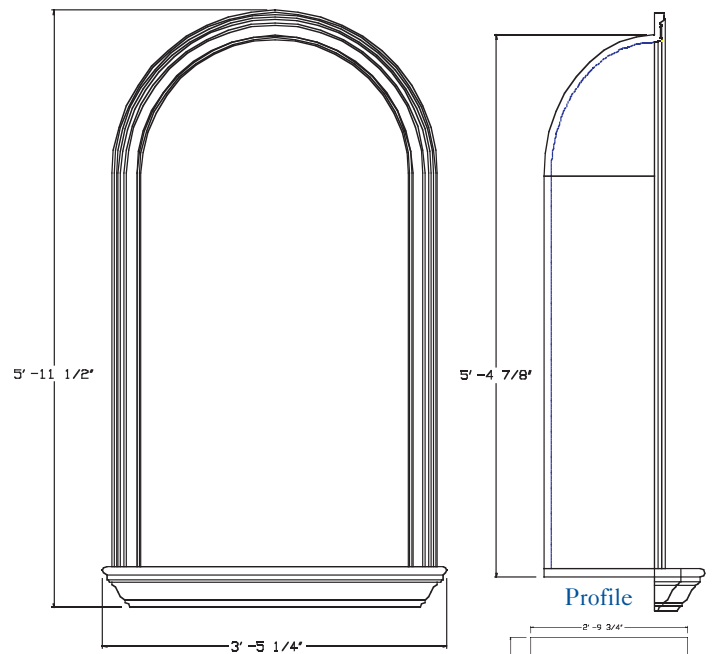
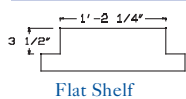
Niche with Flat Shelf



NE/1737S

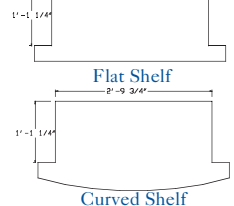
N/1737S

PART#	H	W	P
N/1737S	41 ⁵ / ₈ "	20"	4"
NE/1737S	41 ⁵ / ₈ "	20"	4"



Plain Niche

PART#	H	W	P
N/3967-PA	71"	41"	14"
N/3967-PS	71"	41"	14"



The letter at the end of the part #
is for one of the following:
A - Curved Shelf/Apron S - Flat Shelf/Apron

SPECIALTY FEATURES