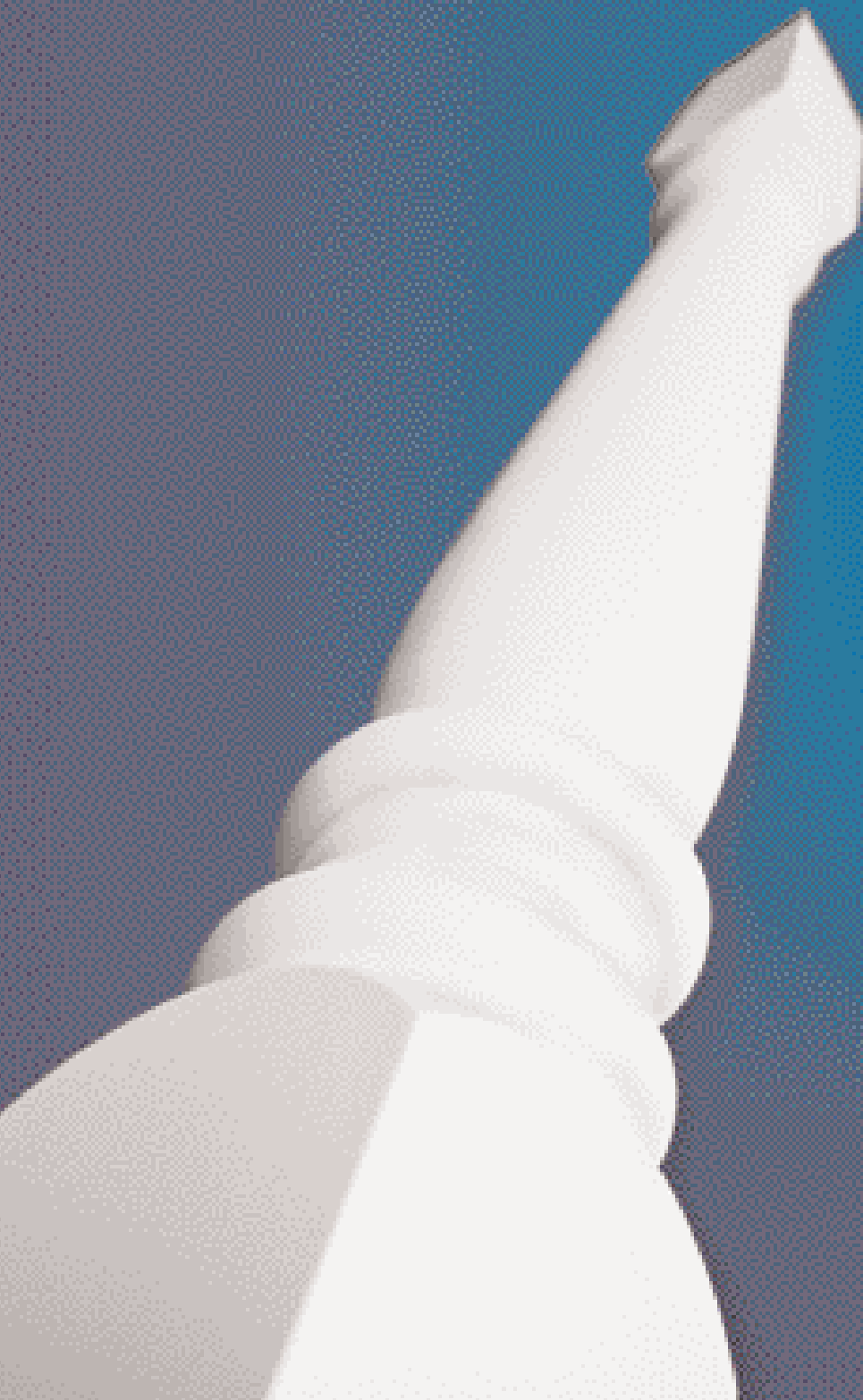




# Porch Posts

The CDM Classic  
Porch Post  
eliminates the  
problems associated  
with wood posts  
by molding a  
laminated, wood core  
inside a paintable  
low maintenance  
polyurethane skin.  
CDM Classic posts  
are structural, with a  
load capacity of  
5000 lbs each. The  
CDM Classic Post  
installs quickly and is  
easily trimmed with  
regular carpenter's  
tools and gives the  
exact look of the great  
old wood porch posts  
of the past.



# PORCH POST

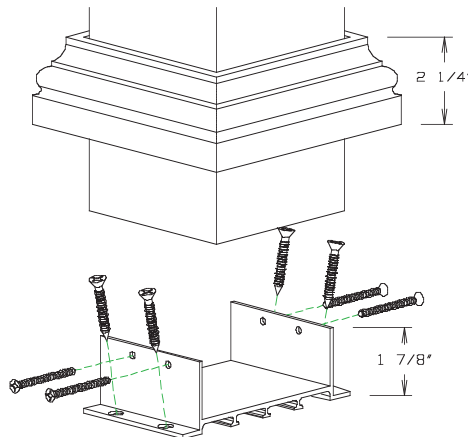
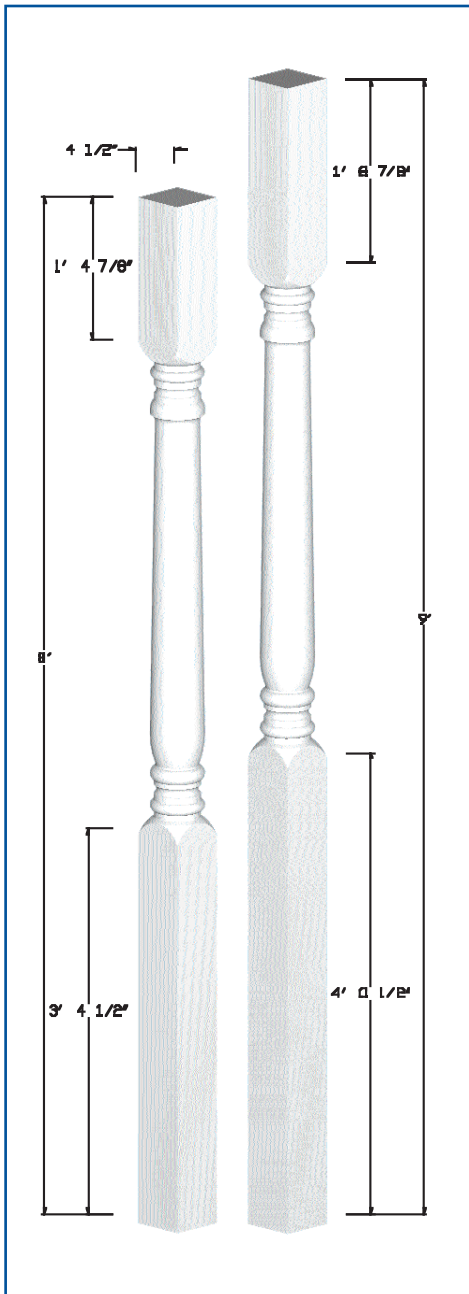
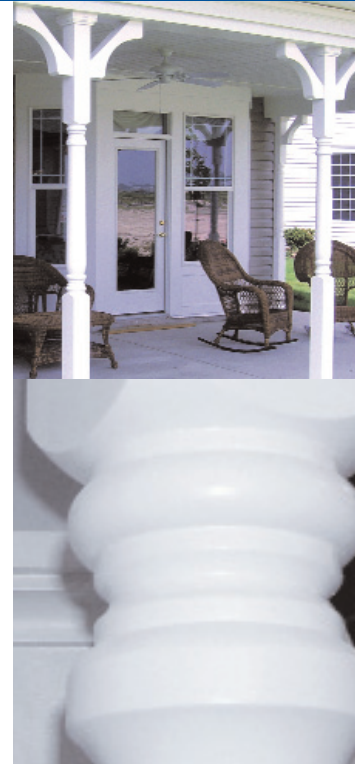
CDM is pleased to introduce the newest Porch Post:

## THE CLASSIC

CDM's latest architectural addition combines polyurethane with a laminated wood core.

The Classic Porch Post eliminates all the problems associated with wood, yet . . .

- Feels like wood
- Installs like wood
- Paints like wood



Limited 10 Year Warranty  
Proper Installation Required

### EASY TO ORDER

| Item Number | Description            |
|-------------|------------------------|
| PRS-PMF496  | 4.5" x 4.5" x 8'       |
| PRS-PMF4108 | 4.5" x 4.5" x 9'       |
| PRS-PMF596  | 5.25" x 5.25" x 8'     |
| PRS-PMF5108 | 5.25" x 5.25" x 9'     |
| PRS-MKT4    | Mount / Trim Kit 4.5"  |
| PRS-MKT5    | Mount / Trim Kit 5.25" |

### TURNED NEWEL

| PART#       | H   | W  | P  |
|-------------|-----|----|----|
| PRS-NPT5-44 | 44" | 5" | 5" |

PORCH POST