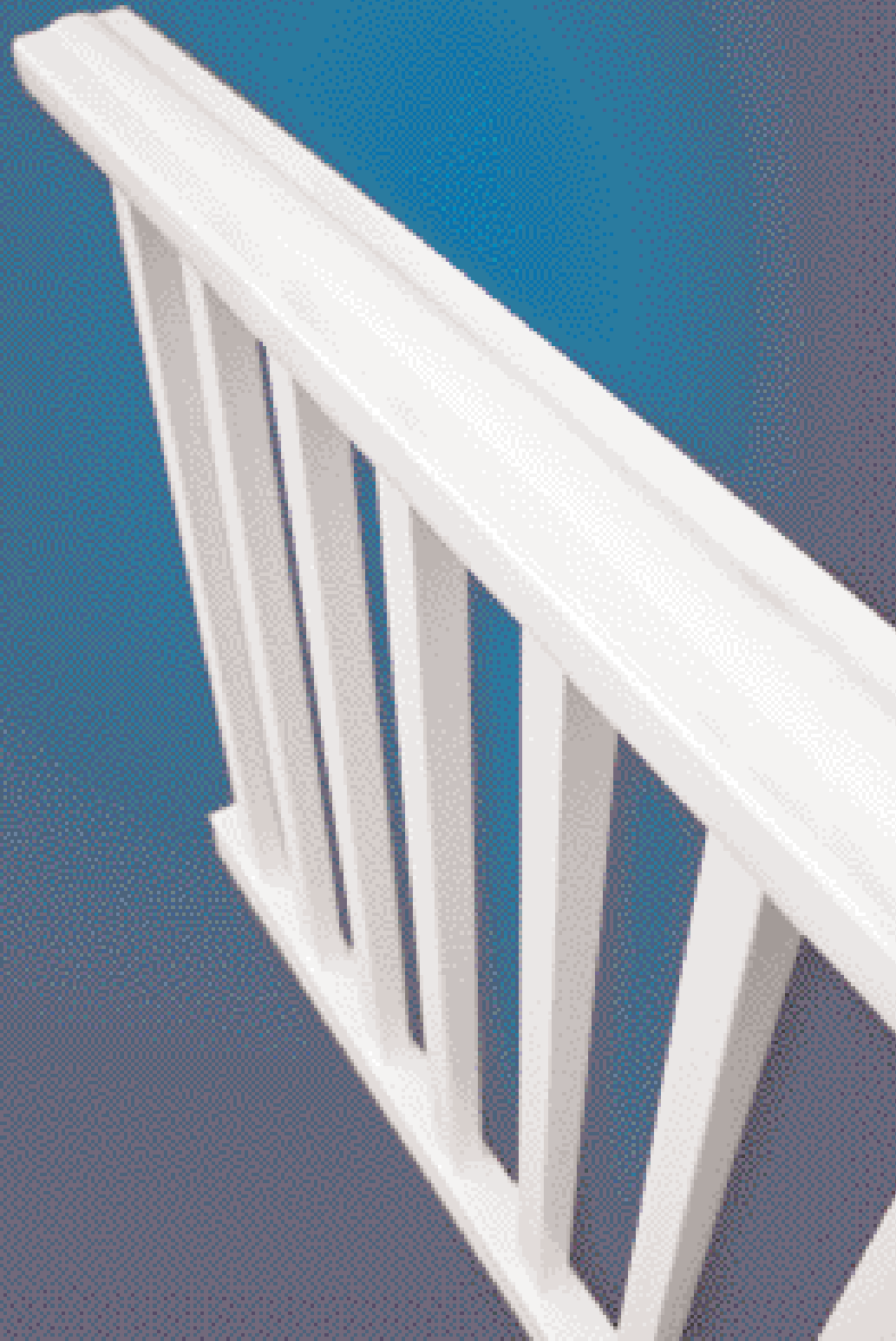




# CDM Rails

Monumental, Classic, Custom and Pro Rail add value and function to any porch, patio or staircase. CDM has a railing system for most applications, from one and two family dwellings to commercial projects. With easy installation and an array of styles and sizes available, CDM's rail can transform the ordinary to extraordinary.



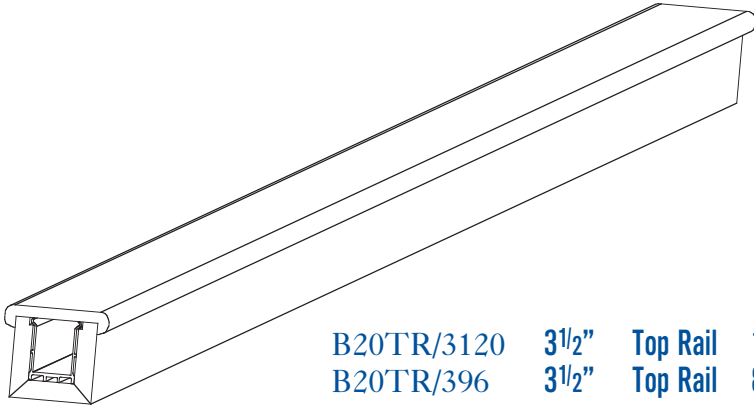
# MONUMENTAL RAIL

*Transform the ordinary  
to the Extraordinary*

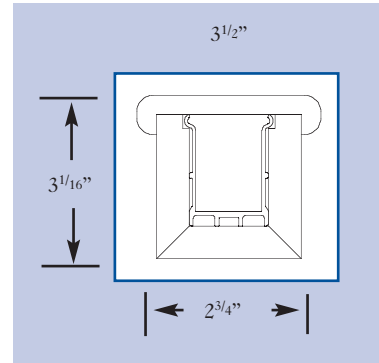


***NOW OFFERING EASY INSTALLATION***

# MONUMENTAL RAIL

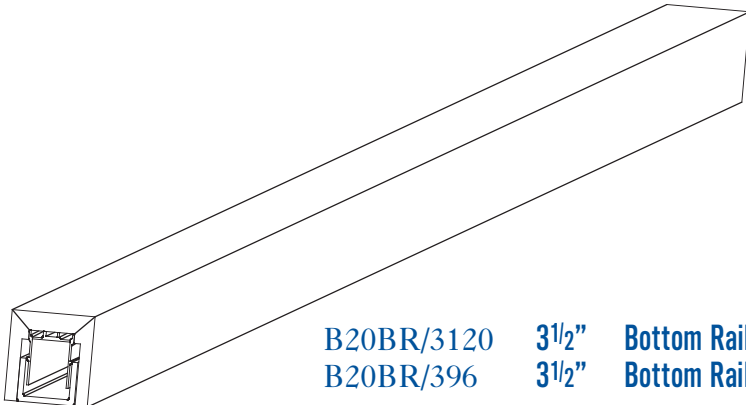


B20TR/3120 3 1/2" Top Rail 10'  
 B20TR/396 3 1/2" Top Rail 8'

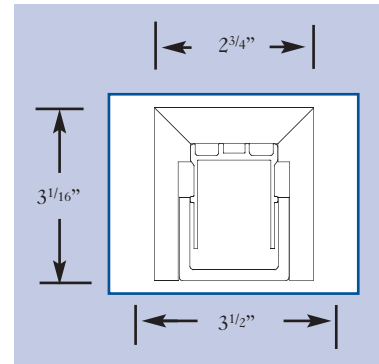


PART#	H	W
MRS-SB10/232	32"	2 1/2"
MRS-SB10/234	34"	2 1/2"

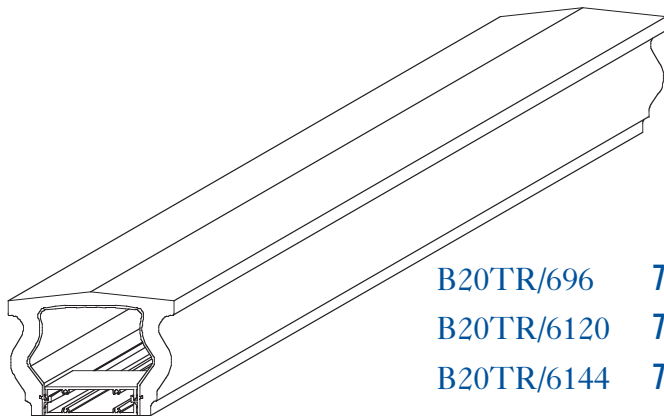
PART#	H	W
MRS-SQ12/224	24"	2 1/4"
MRS-SQ12/232	32"	2 1/4"



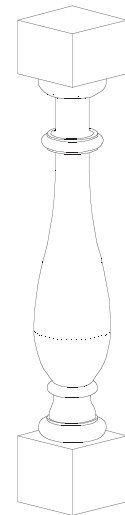
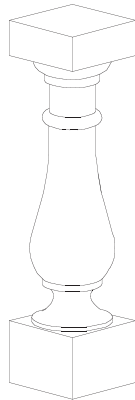
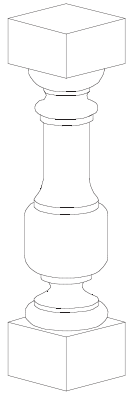
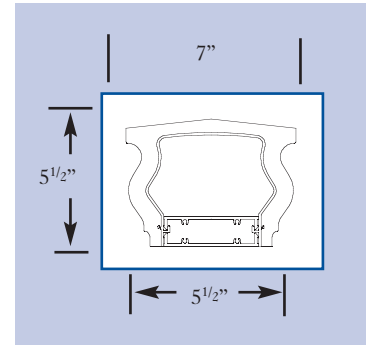
B20BR/3120 3 1/2" Bottom Rail 10'  
 B20BR/396 3 1/2" Bottom Rail 8'



# MONUMENTAL RAIL



B20TR/696 7" Top Rail 8'  
 B20TR/6120 7" Top Rail 10'  
 B20TR/6144 7" Top Rail 12'



PART#	H	W
MRS-SB22/516	16"	4 1/2"
MRS-SB22/520	20"	4 1/2"
MRS-SB22/524	24"	4 1/2"
MRS-SB22/530	30"	4 1/2"

PART#	H	W
MRS-SB24/519	19"	5 1/4"
MRS-SB24/522	22"	5 1/4"
MRS-SB24/524	24"	5 1/4"
MRS-SB24/530	30"	5 1/4"

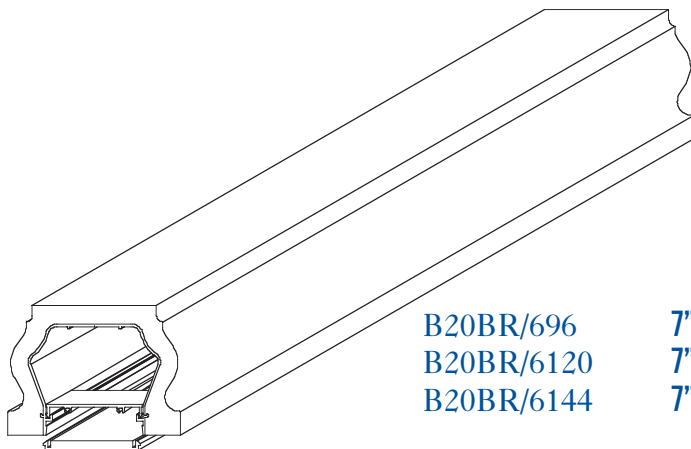
RAKE BALUSTER  
 MRS-SB24/532R 32" 5 1/4"

PART#	H	W
MRS-SB28/528	28"	4 1/2"
MRS-SB28/536	36"	4 1/2"

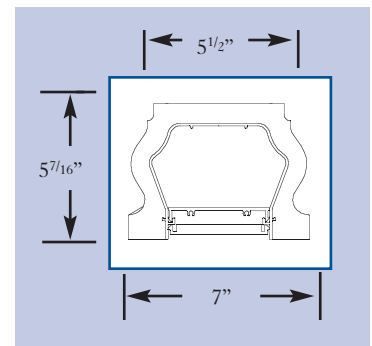
RAKE BALUSTER AVAILABLE

PART#	H	W
MRS-SB26/523	23 1/2"	4 1/2"
MRS-SB26/529	29 1/4"	4 1/2"

RAKE BALUSTER AVAILABLE

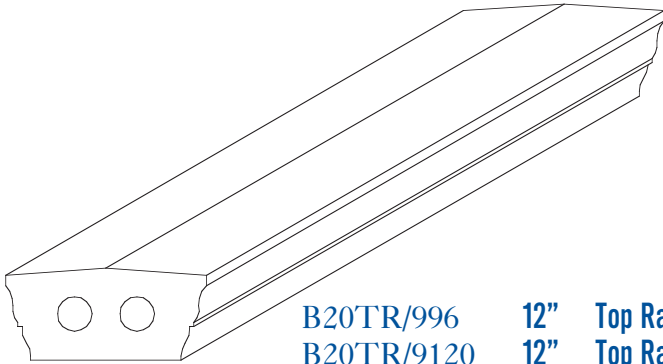


B20BR/696 7" Bottom Rail 8'  
 B20BR/6120 7" Bottom Rail 10'  
 B20BR/6144 7" Bottom Rail 12'

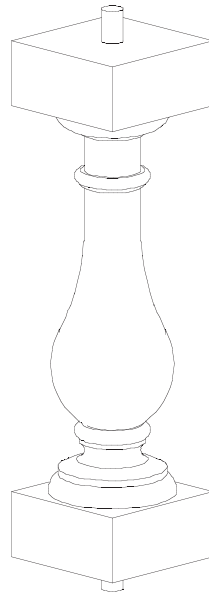
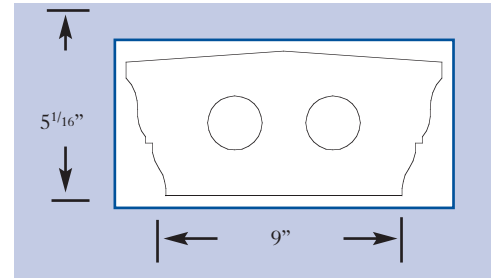


**7" CUSTOM RADIUS RAIL AVAILABLE. CONTACT OFFICE FOR QUOTE.**

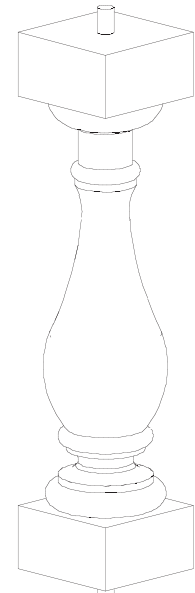
# MONUMENTAL RAIL



B20TR/996	12"	Top Rail	8'
B20TR/9120	12"	Top Rail	10'
B20TR/9144	12"	Top Rail	12'

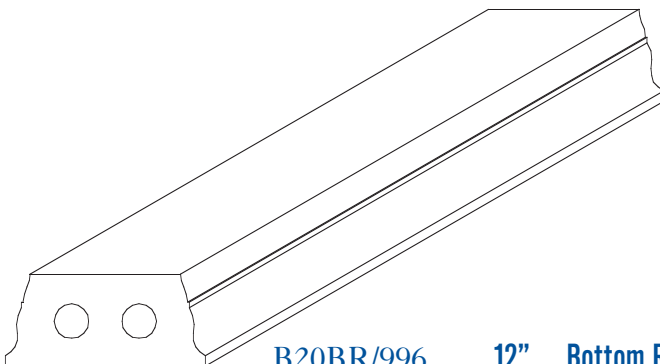


PART#	H	W
MRS-SB30/728	28"	7 1/2"
MRS-SB30/734	34"	7 1/2"

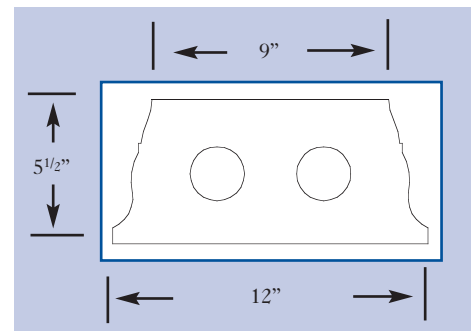


PART#	H	W
MRS-SB32/938	38"	8 1/2"

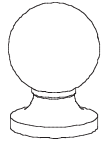
COM RAILS



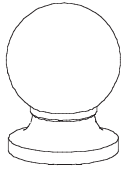
B20BR/996	12"	Bottom Rail	8'
B20BR/9120	12"	Bottom Rail	10'
B20BR/9144	12"	Bottom Rail	12'



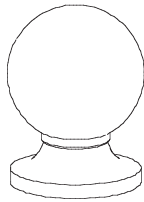
# MONUMENTAL RAIL



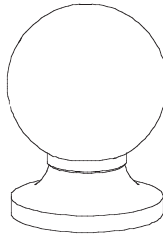
B20BAL/4  
4" Dia. Ball



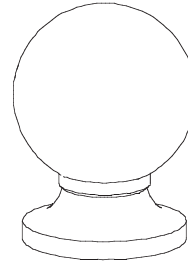
B20BAL/5  
5" Dia. Ball



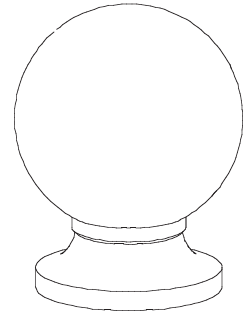
B20BAL/6  
6" Dia. Ball



B20BAL/7  
7" Dia. Ball



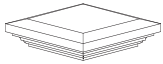
B20BAL/8  
8" Dia. Ball



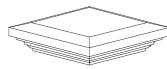
B20BAL/10  
10" Dia. Ball

SEE ALSO PAGE 67

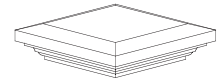
**NOTE: BALL TOP MUST BE USED WITH DPCF FLAT CAP**



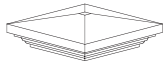
B20DPCF/7 1/4  
(use with B20BAL/4, B20BAL/5 or B20BAL/6)



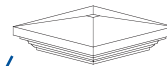
B20DPCF/8  
(use with B20BAL/5, B20BAL/6 or B20BAL/7)



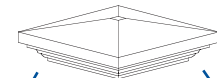
B20DPCF/12  
DELUXE FLAT CAP  
(use with B20BAL/7, B20BAL/8 or B20BAL/10)



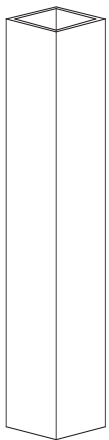
B20DPCP/7 1/4



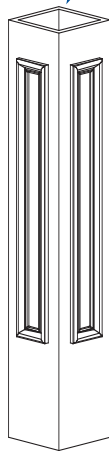
B20DPCP/8



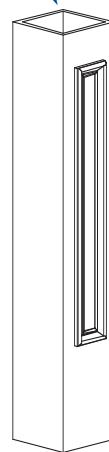
B20DPCP/12  
DELUXE  
PEAKED CAP



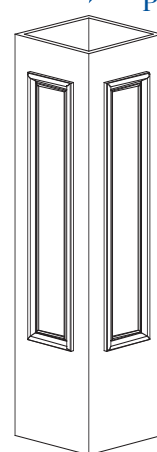
B20NP/748  
7 1/4" X 48"



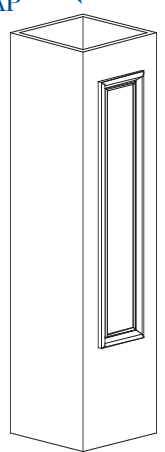
B20NPC/848  
8" X 48"  
CORNER



B20NPI/848  
8" X 48"  
INTERMEDIATE



B20NPC/1248  
12" X 48"  
CORNER



B20NPI/1248  
12" X 48"  
INTERMEDIATE

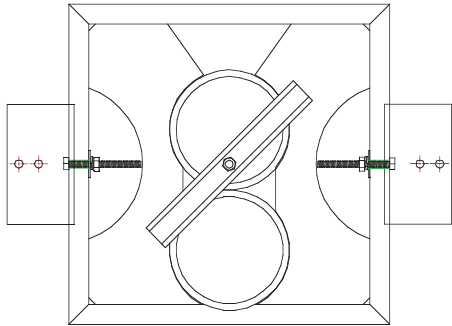
B20NPE/848  
END

B20NPE/1248  
END

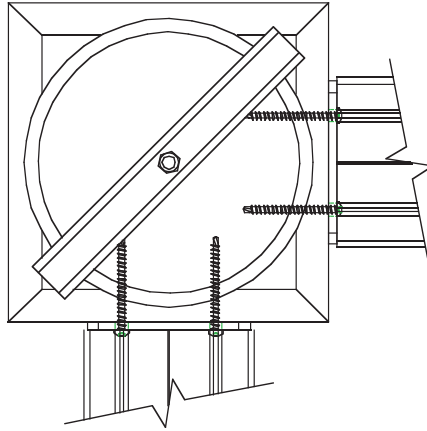
**CORNERS HAVE TWO PANELS ON ADJACENT SIDES, INTERMEDIATES HAVE TWO PANELS ON OPPOSITE SIDES AND ENDS HAVE THREE PANELS.**

# MONUMENTAL RAIL

## Newell Post Anchor Kits

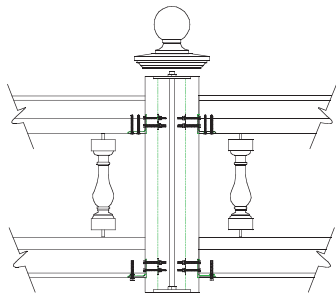


**B20NP/KIT -**  
12" NEWELL POST HARDWARE KIT

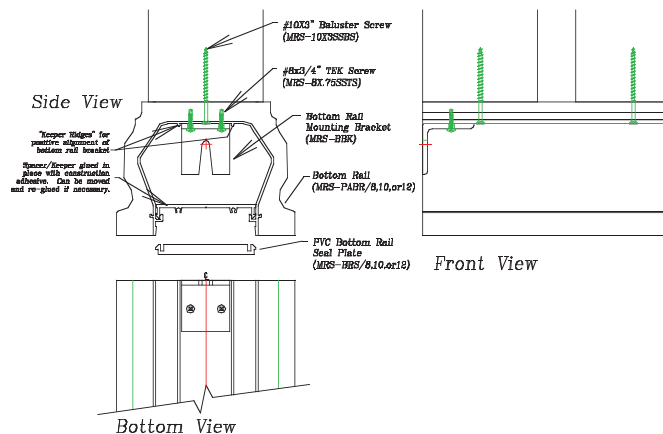
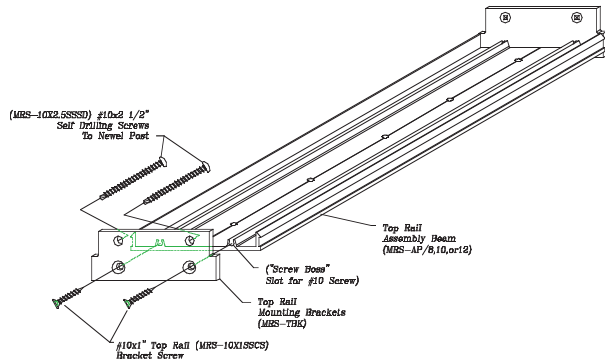


**B20NP/KIT7-8 -**  
7" & 8" NEWELL POST HARDWARE KIT

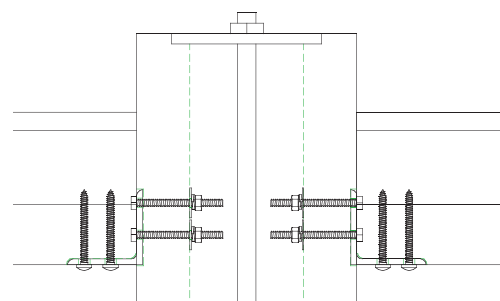
## Rail to Post Kits



**B20RL/3KIT -**  
2 1/2" RAIL HARDWARE KIT



**B20RL/6KIT -**  
5 1/2" RAIL HARDWARE KIT



**B20RL/9KIT -**  
9" RAIL HARDWARE KIT