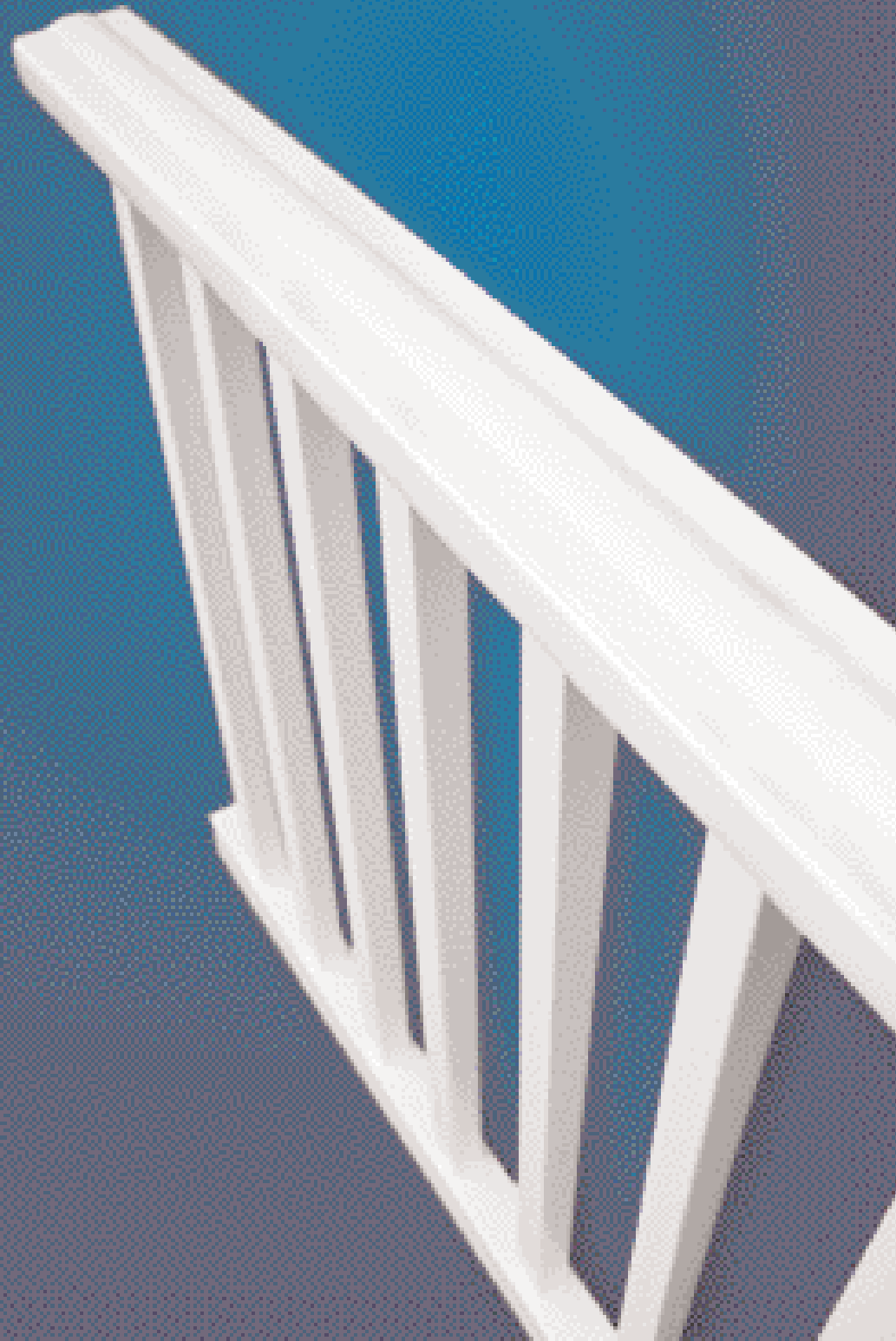




# CDM Rails

Monumental, Classic, Custom and Pro Rail add value and function to any porch, patio or staircase. CDM has a railing system for most applications, from one and two family dwellings to commercial projects. With easy installation and an array of styles and sizes available, CDM's rail can transform the ordinary to extraordinary.



# CUSTOM RAIL

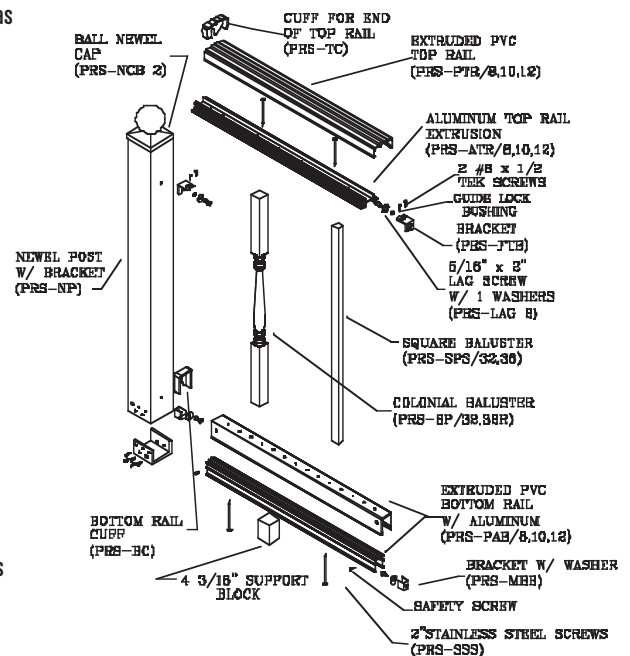
**C**reated to accommodate today's homeowners who want to enhance their homes while increasing the value. Custom Rail Porch Rail Systems are easy to install and virtually maintenance free. Custom Rail is designed to complement the existing architecture of your home. The enormous strength and rigidity of Custom Rail is achieved by using heavy vinyl clad aircraft aluminum extrusions in all rails and posts.



## CUSTOM RAIL: Beautiful Features That Last A Lifetime!

- Suited for almost any type of exterior enclosure project. Cut to length with conventional power saw and carbide blade.
- Impervious to Insects
- Working with Custom Rail is Easy! No Special Tools needed for Assembly. Installation kits and easy-to-follow instructions come with each system.
- Superior Weatherability. Custom Rail offers the color retention and weatherability you have come to expect from vinyl siding. It will not decay, warp, rot, or twist.
- Traditional Styling without the problems of Wood. No injuries from splinters or splits. It is designed to be a replacement for wood construction.
- Well Designed. Custom Rail is engineered to exceed requirements of ASCE 7-95 and easily complied with BOCA UBC and SBC testing. This is a very strong system.
- Easy Installation. Rails attach easily to newels with available mounting brackets. Custom Rail installs as easily as wood.
- Unaffected by Extreme Temperatures. It will not soften in high-temperatures and has outstanding cold-temperature impact resistance.
- The Highest Quality. A Technological break-through offering the most advanced engineering in a balustrade system. Molded from PVC.
- 10 Year Limited Warranty. Custom Rail Porch System Features are of the highest quality in the industry and are warranted to be free from defects in material and workmanship for 10 years when properly installed.

## CUSTOM RAIL DIAGRAM

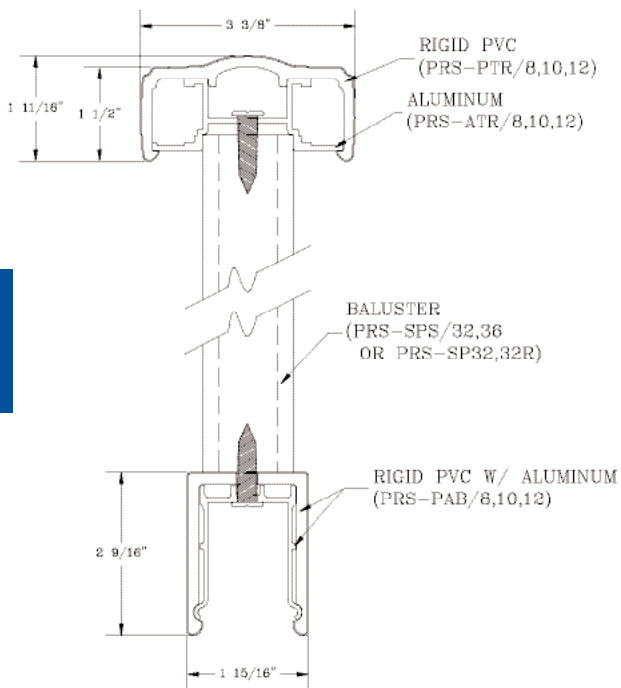


CDM RAILS

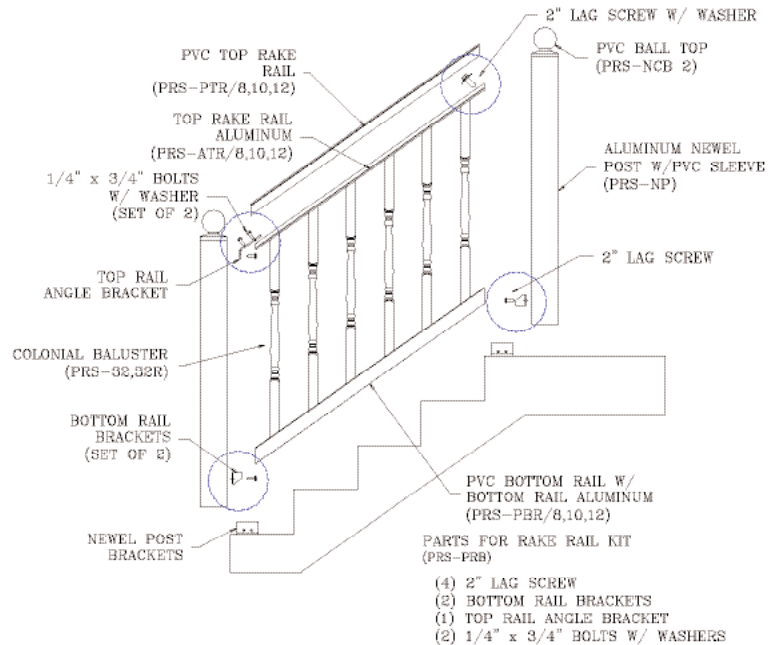
# CUSTOM RAIL



## CUSTOM RAIL CROSS SECTION



## CUSTOM RAKE RAIL DIAGRAM

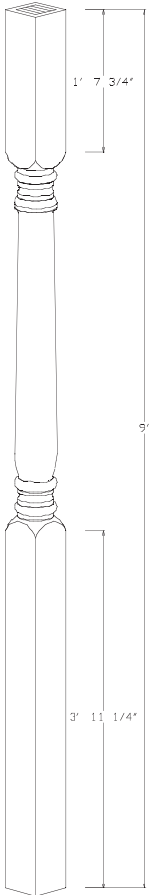




# CUSTOM RAIL



PRS-PMF5108  
POLYURETHANE  
PORCH POST



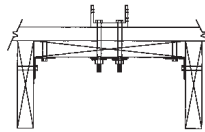
PRS-SLE/9  
PVC PLAIN  
PORCH POST



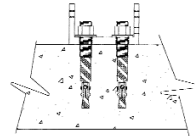
**PARTS LIST FOR THE  
WOOD ANCHOR KIT**

- (4) 4 1/2" x 7/16" HEX CAP SCREW PRS-WDA (BOLTS)
- (8) 1 1/2" ZINC PLATED LAG SCREWS PRS-LAG 1 1/2
- (1) 3 1/2" x 3 1/2" BRACKER PLATE PRS-WDA(BP)
- (2) ANGLE BRACKETS PRS-WDA(AP)

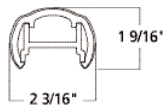
**PRS-WDA  
WOOD ANCHOR KIT**



**PRS-MA  
MASONRY ANCHOR KIT**

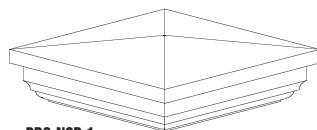


**PRS-RCR  
PVC CODE RAKE  
RAIL W/ ALUMINUM**

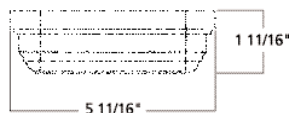


**PARTS LIST FOR THE  
MASONRY ANCHOR KIT**

- (4) 1/2" x 4 1/2" MASONRY ANCHOR PRS-MA(ANCH)
- (1) NEWEL POST MOUNTING BRACKET PRS-NP(BRACKET)



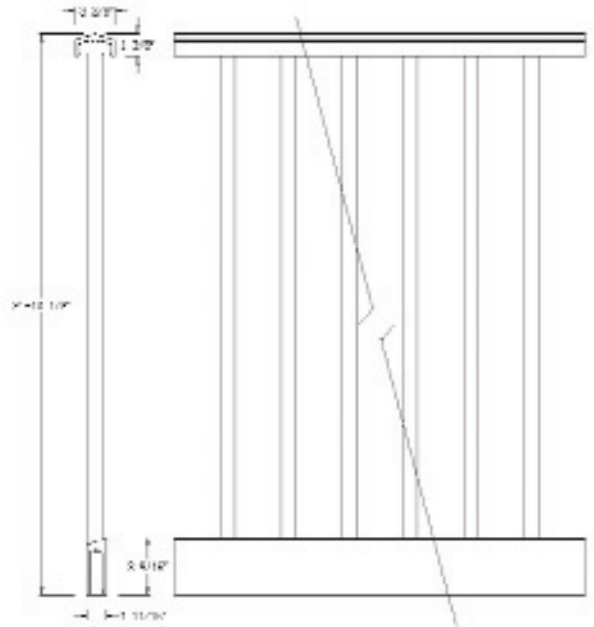
**PRS-NCB 1  
BEVELLED NEWEL CAP**



*Custom*  
**RAIL**  
by **CDM**

CDM RAILS

# PRO RAIL

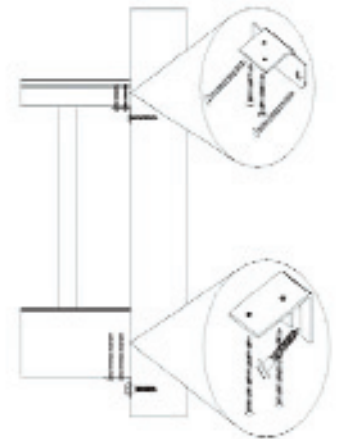


Product Code	Length
PRG-36/2	2'
PRG-36/3	3'
PRG-36/4	4'
PRG-36/5	5'
PRG-36/6	6'
PRG-36/7	7'
PRG-36/8	8'

- Prime Wood Sub-rail
- Square Balusters
- 36" Rail Height (42" Available)
- Code Compliant
- Paintable
- Longer Lengths Available

PRG-BK  
Rail Brackets

Sold Separately



Chippendale Available

